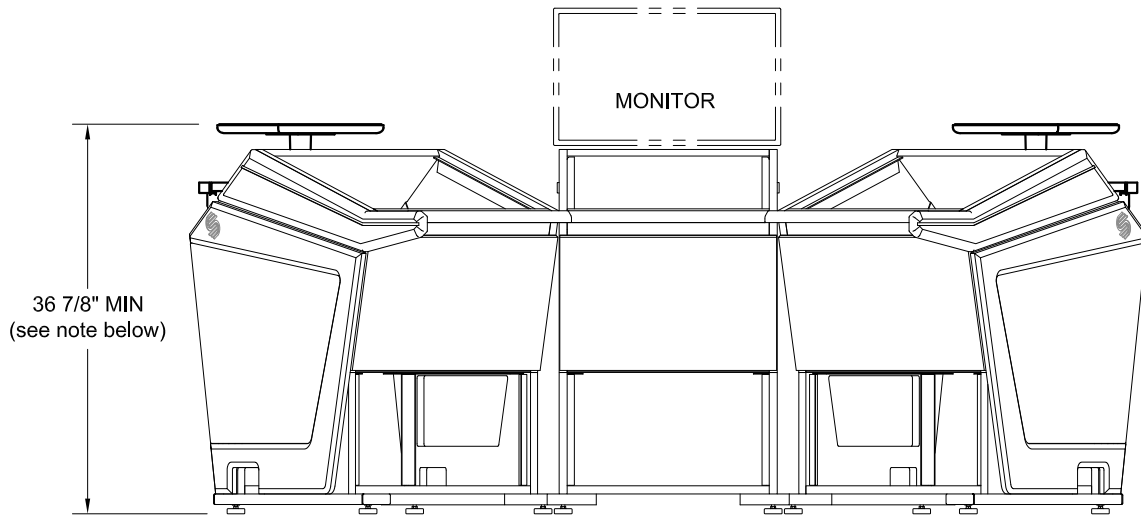


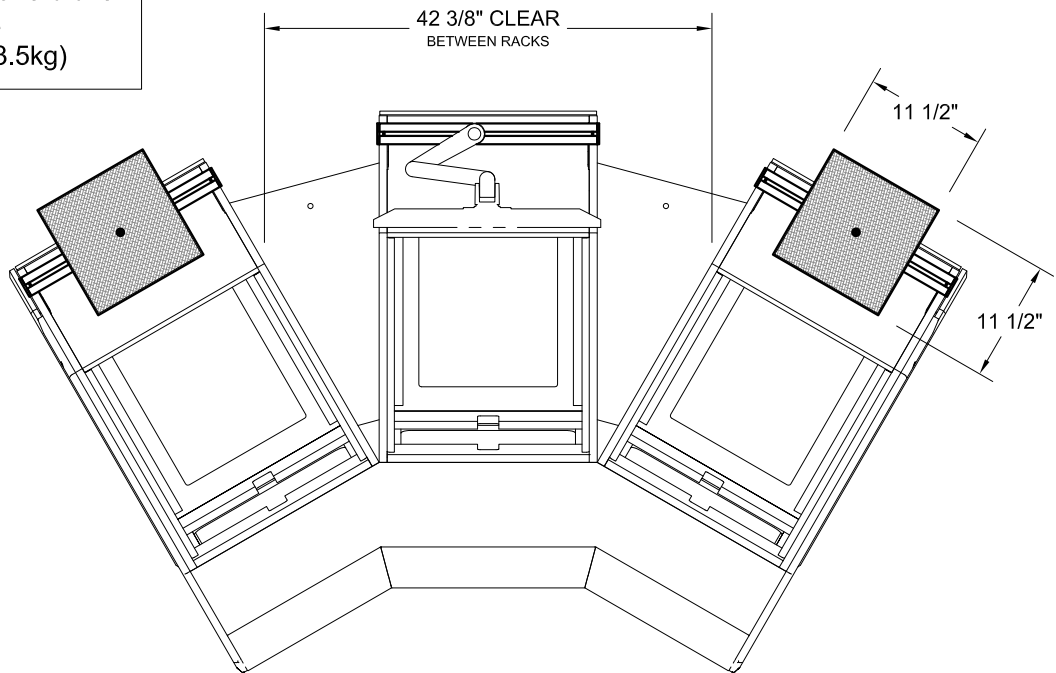
LCD Monitor and Speaker Clearance Guide

Plan C - Rail Mount Pedestal Speaker Platform



FRONT VIEW

Not recommended for speakers over
13"D x 20"W or over 30lbs
(33cm x 50.8cm or over 13.5kg)



PLAN VIEW

Note: When ordering the Pedestal Speaker Platform contact Sterling Modular with your speaker specifications. We will cut the support pole to the correct height. In most cases the Tweeter is the Acoustical Center of the speaker and should align with the ear height above the floor, usually 48", or a floor to ear measurement at your seating position.