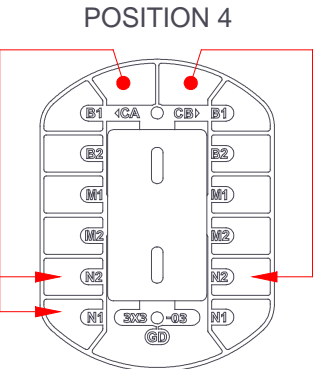


FREE-WAY SWITCH

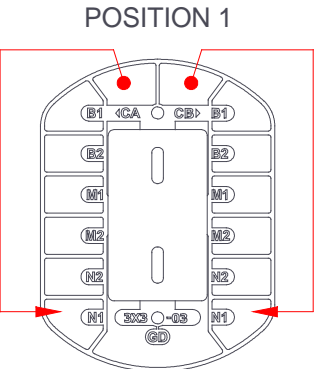
www.froewayswitch.com

MANUFACTURED IN ENGLAND BY NSF CONTROLS LTD

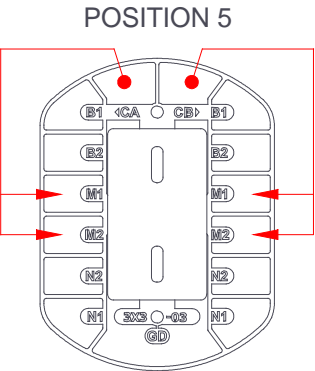


Reverse View of Switch

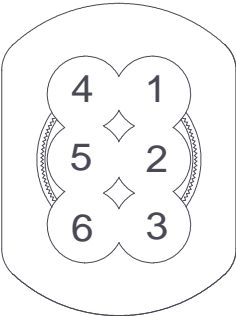
ELECTRICAL FUNCTION
 Two circuits 'A' & 'B' have commons 'CA' and 'CB' each connecting to: B1, B2, M1, M2, N1, N2 (sometimes in combination) in varying switch positions. A & B side switching differs: 'A' combines B1+B2/N1+N2 'B' isolates B1+B2/N1+N2. 'GD' is 'ground' or 'earth'.



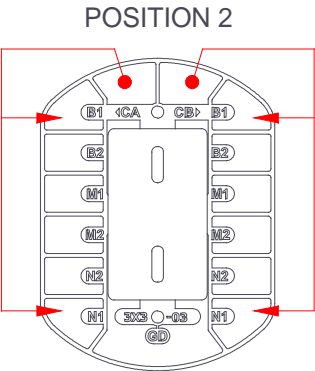
Reverse View of Switch



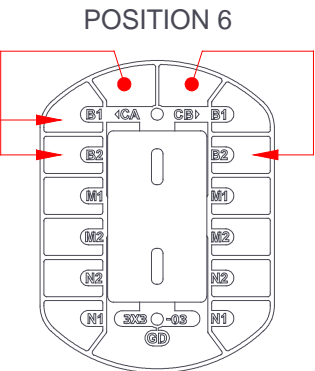
Reverse View of Switch



Top View of Switch

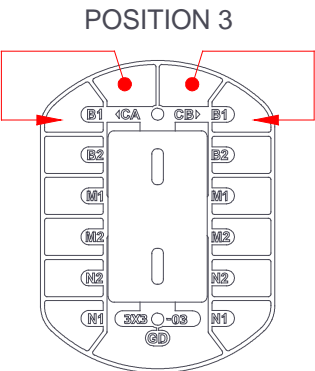


Reverse View of Switch

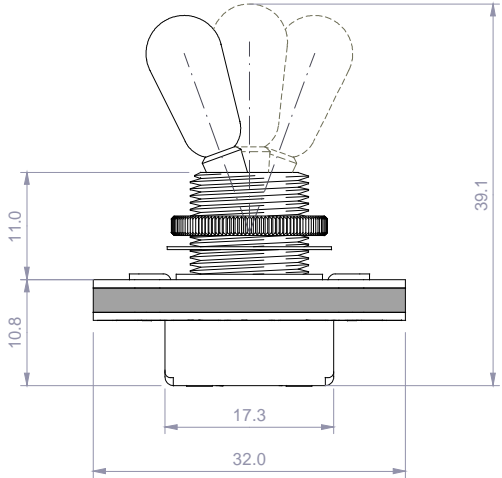
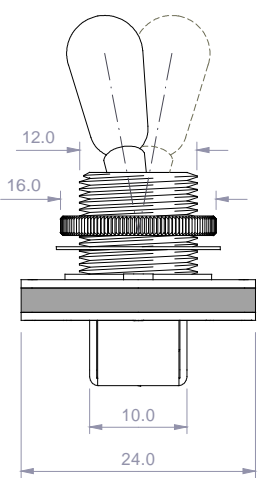


Reverse View of Switch

ELECTRICAL TRANSITION
 'Make Before Break' action in all transitions, except Position 2 to Position 5 where N1 to M2 is 'Break Before Make' on both A & B



Reverse View of Switch

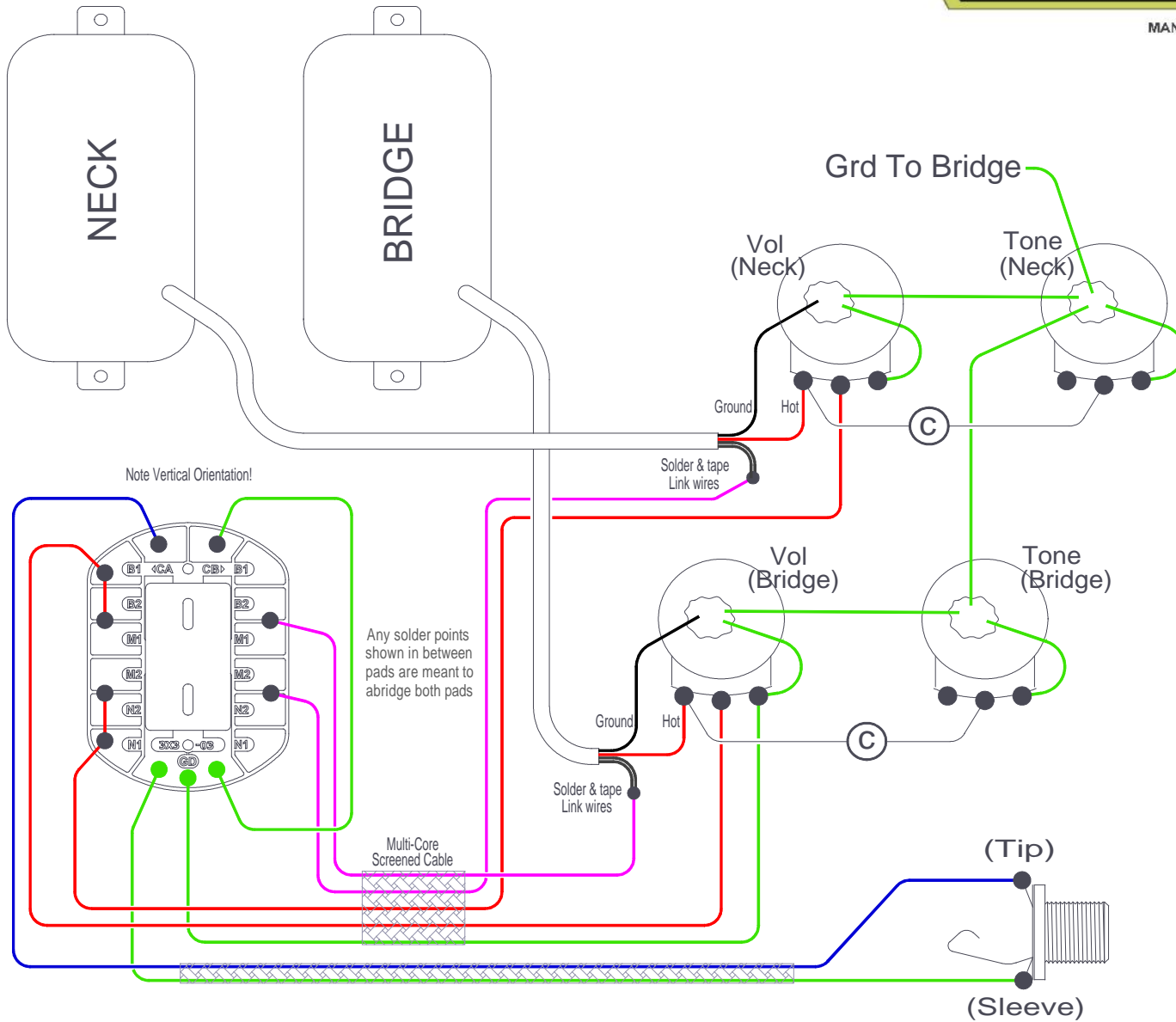


3X3-03 Schematic : Last Updated June 2013

REVERSE VIEW OF PICKUPS, SWITCH AND POTENTIOMETERS.



MANUFACTURED IN ENGLAND BY NSF CONTROLS LTD



Notes:-

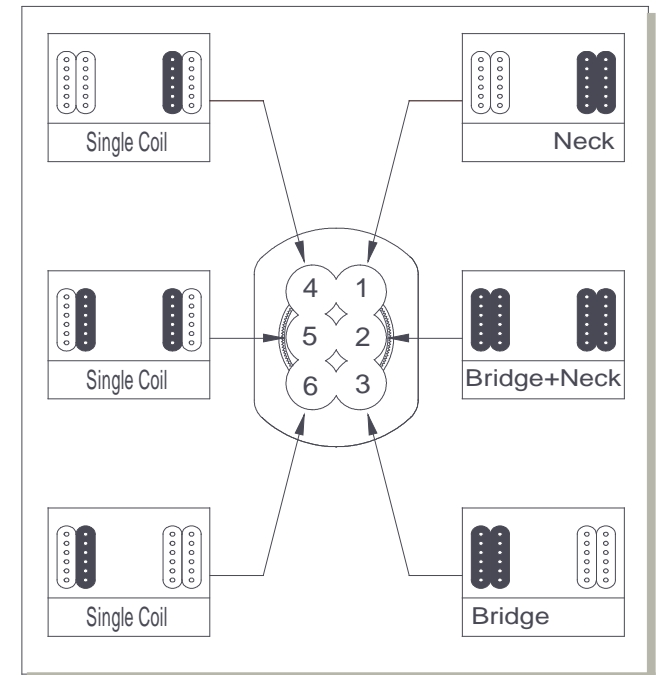
Positions 4, 5 & 6 voice the slug coils on normal humbuckers by grounding the coil link connections.

Use multi-core screened cable between switch and controls on LP-style guitars.

'Link' wires would normally be connected for series humbucker operation (typically these are North & South finish wires).

The pickup colour coding shown in this diagram does not represent any particular pickup manufacturer - please follow designations.

FRONT VIEW OF PICKUPS AND SWITCH

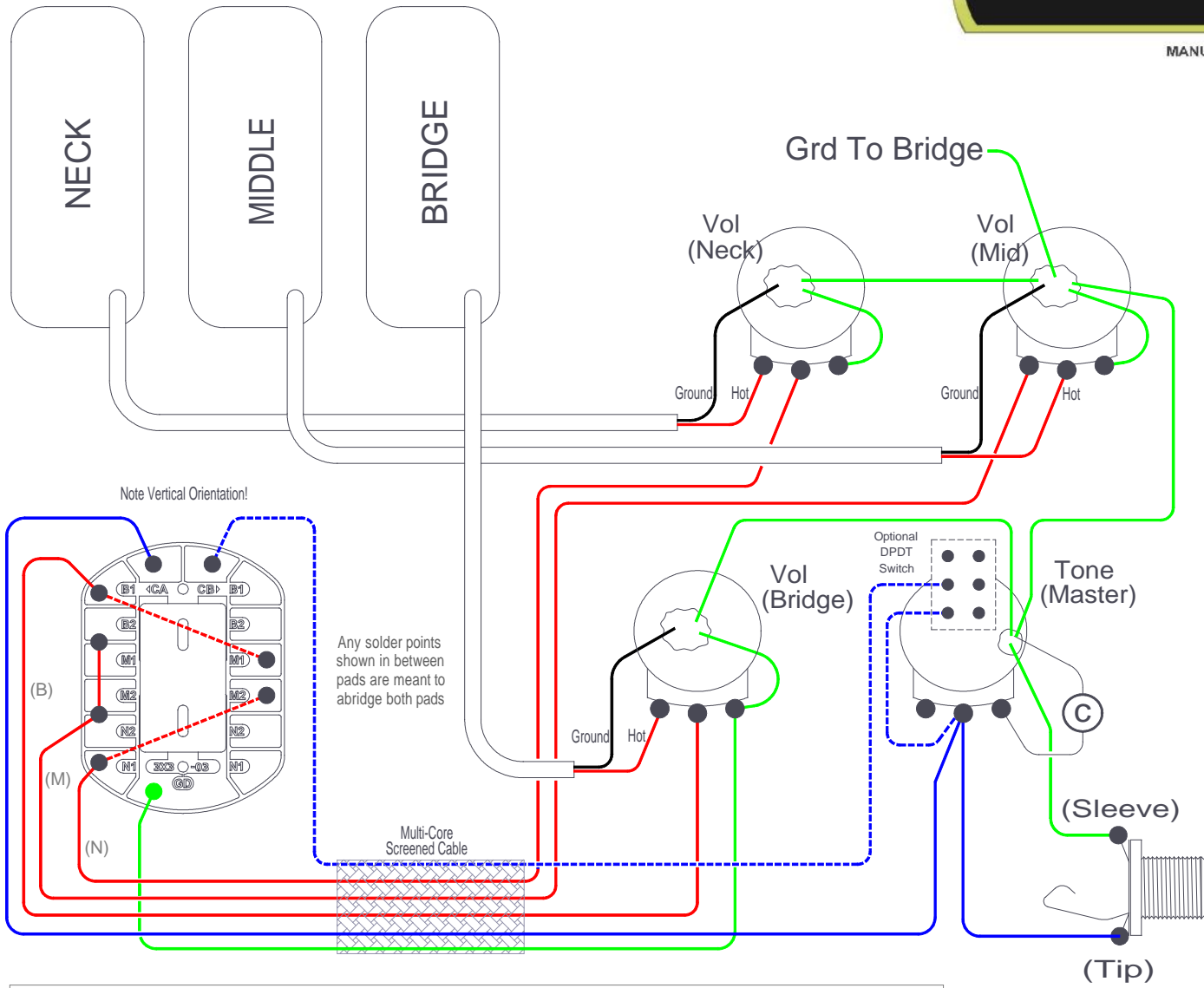


Scheme No 001 : Last Updated June 2013

REVERSE VIEW OF PICKUPS, SWITCH AND POTENTIOMETERS.

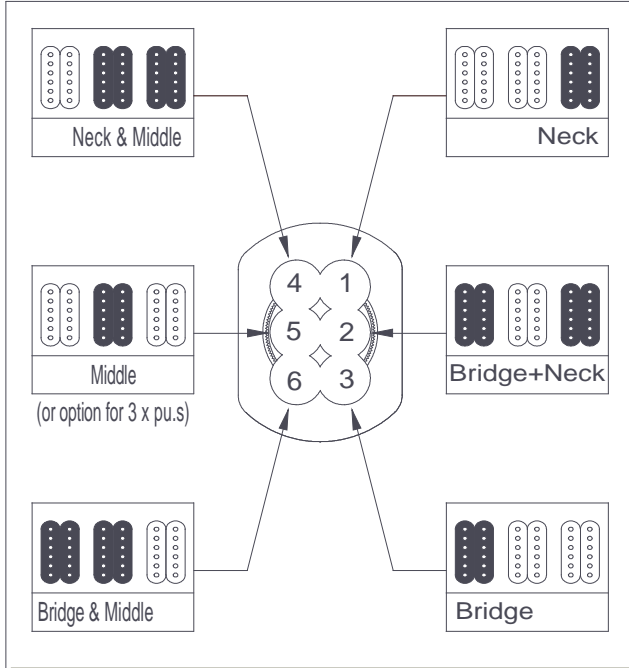


MANUFACTURED IN ENGLAND BY NSF CONTROLS LTD



Notes:-
 Optional Push/Pull Pot affects position 5 only; push in for middle pickup only, pull out for Neck+Middle+Bridge pickups. Omit push/pull pot and dotted wires for middle pickup only in position 5.
 Use multi-core screened cable between switch and controls on LP-style guitars.
 For Humbucker guitars, middle PU is normally reverse phase.
 The pickup colour coding shown in this diagram does not represent any particular pickup manufacturer - please follow designations.

FRONT VIEW OF PICKUPS AND SWITCH



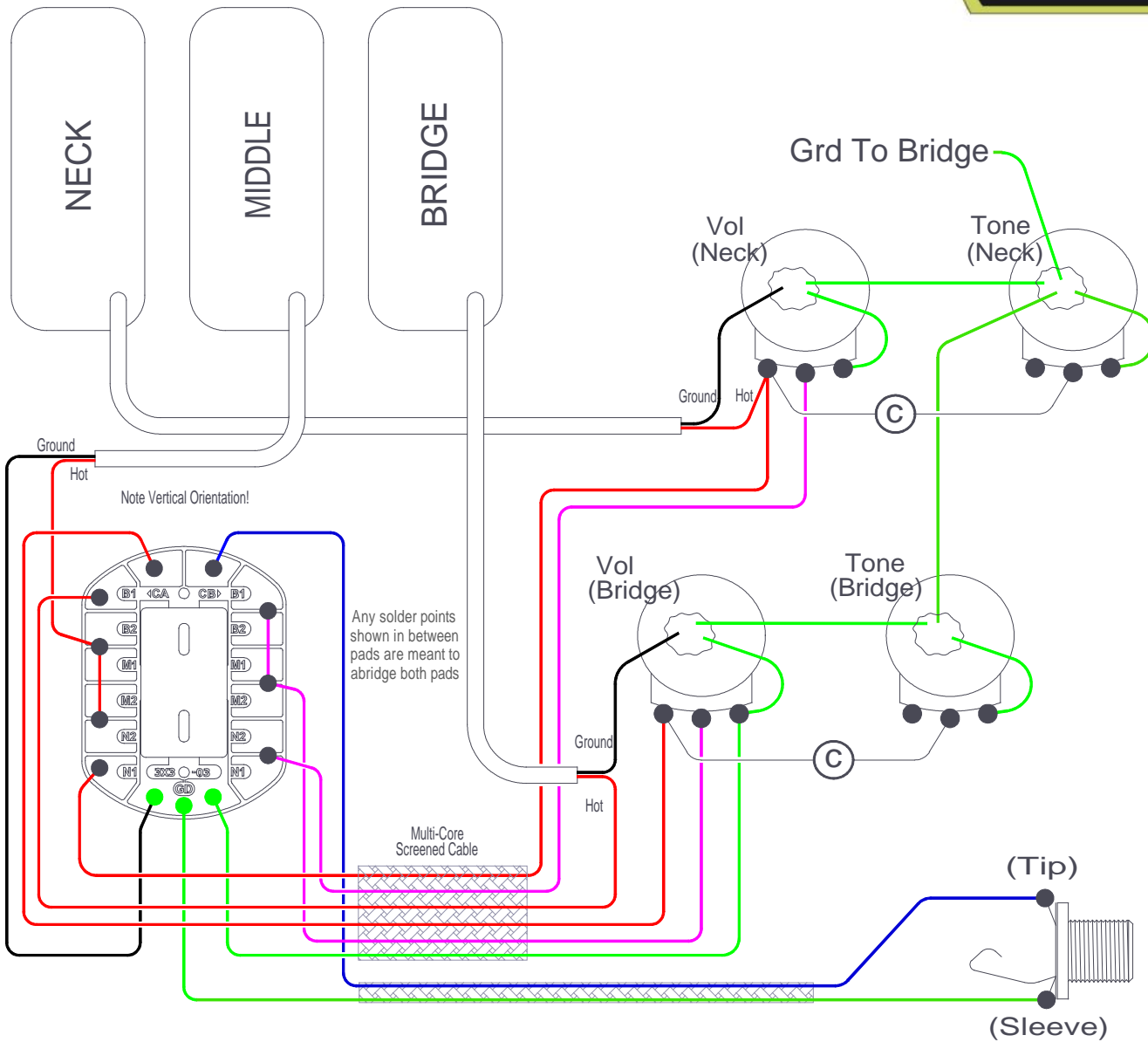
Note: Neck & Bridge Vol controls are 'master' controls in this diagram, so that the Neck Vol mutes the entire output in positions 1,2 & 4 and the Bridge Vol mutes the entire output in position 2,3 & 6. The Middle Vol blends in the Middle Pickup in positions 4, 5 & 6. If more scope for individual pickup blending is preferred, then reverse hot and wiper connections at B Vol and N Vol pots.

Scheme No 002 : Last Updated June 2013

REVERSE VIEW OF PICKUPS, SWITCH AND POTENTIOMETERS.



MANUFACTURED IN ENGLAND BY NSF CONTROLS LTD



Notes:-

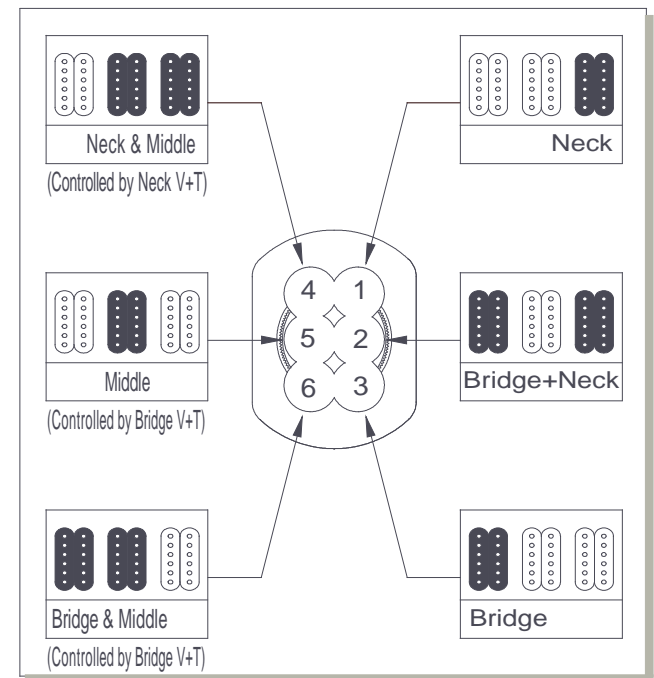
Vol/Tone controls work as normal in positions 1-3. Middle pickup assigned to logical Vol/Tone controls in positions 4-6.

Use multi-core screened cable between switch and controls on LP-style guitars.

For Humbucker guitars, middle PU is normally reverse phase.

The pickup colour coding shown in this diagram does not represent any particular pickup manufacturer - please follow designations.

FRONT VIEW OF PICKUPS AND SWITCH

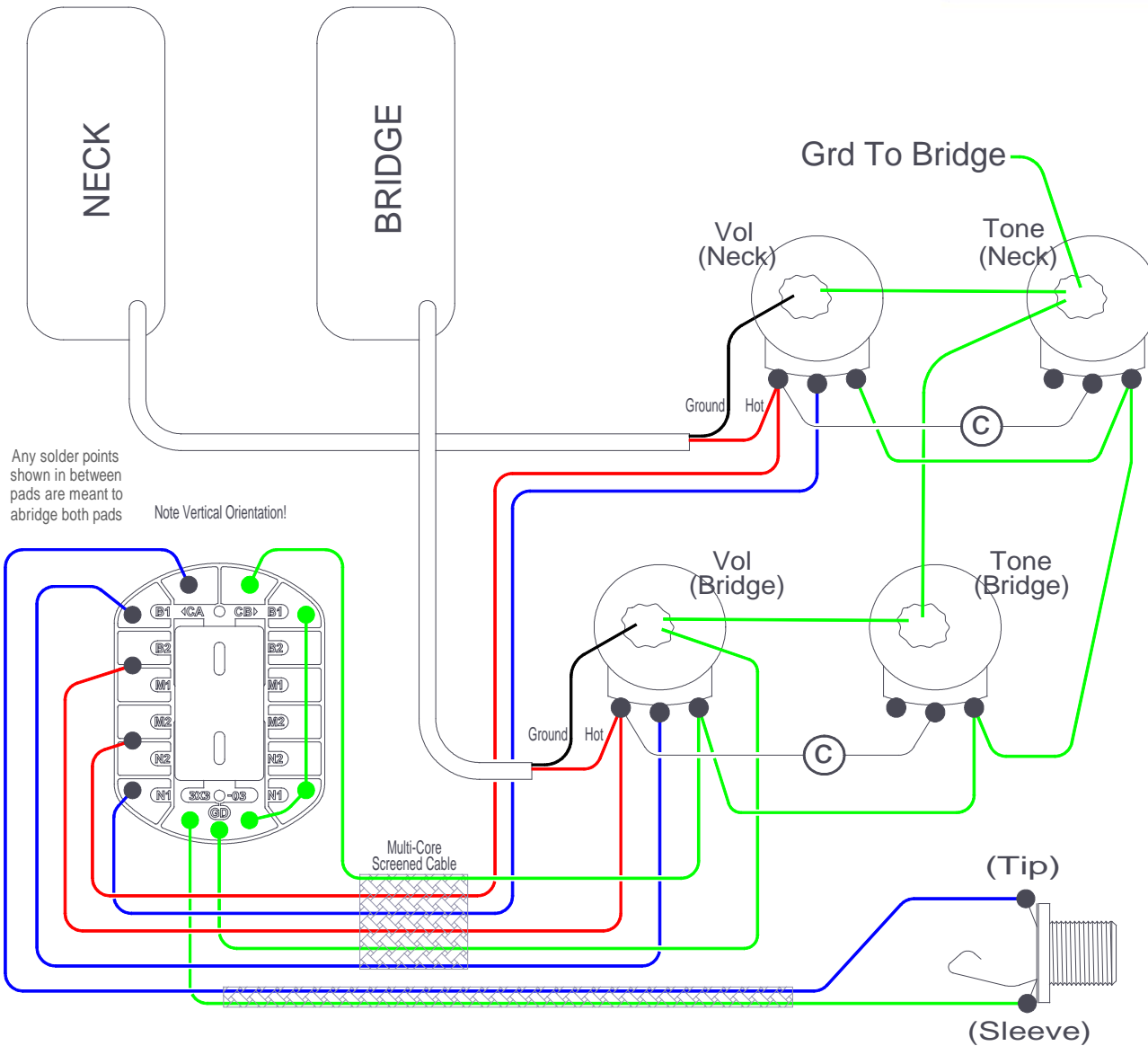


Scheme No 003 : Last Updated June 2013

REVERSE VIEW OF PICKUPS, SWITCH AND POTENTIOMETERS.

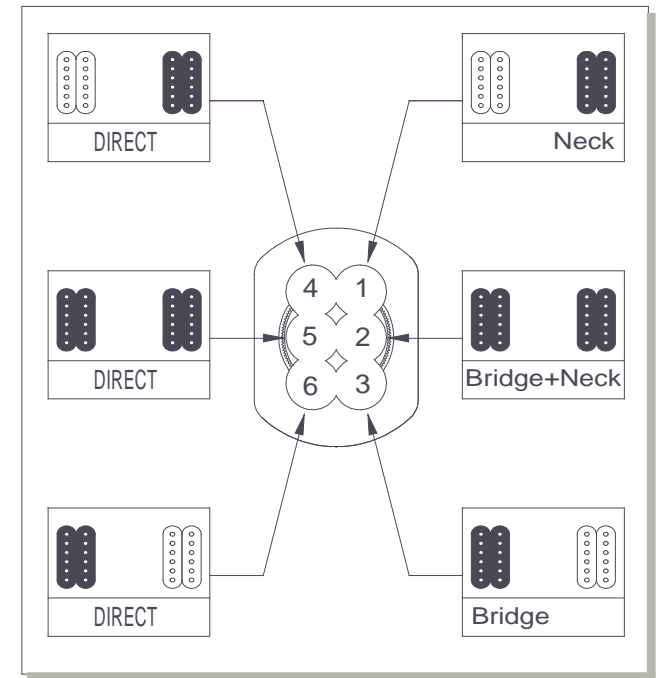


MANUFACTURED IN ENGLAND BY NSF CONTROLS LTD



Notes:-
 Positions 4, 5 & 6 entirely bypass vol and tone controls, connecting pickups directly to the output.
 Hear your pickups wide open for lead, set up precise levels using vol/tone controls for rhythm, or use as a mute-switch.
 Use multi-core screened cable between switch and controls on LP-style guitars.
 The pickup colour coding shown in this diagram does not represent any particular pickup manufacturer - please follow designations.

FRONT VIEW OF PICKUPS AND SWITCH

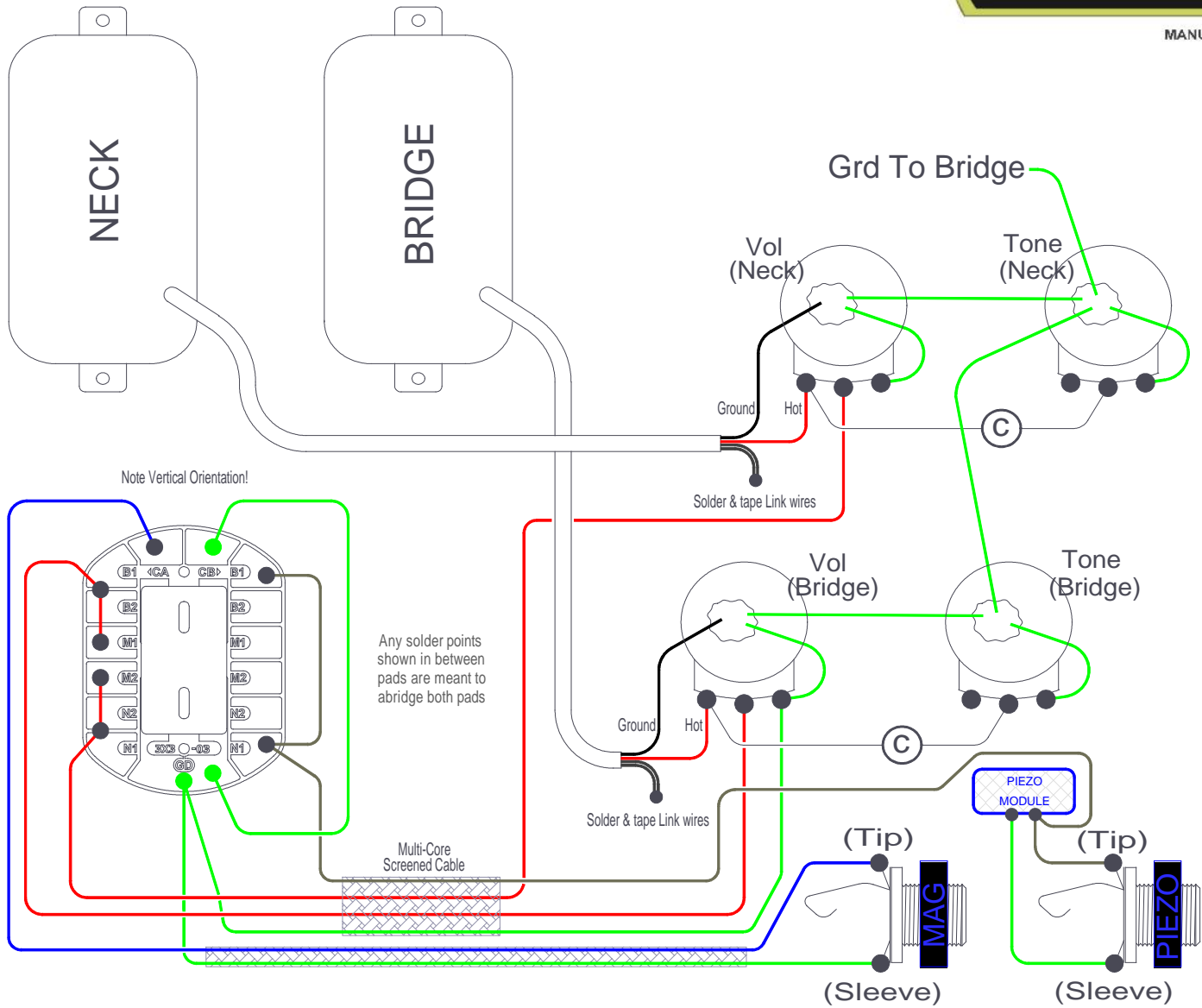


Scheme No 004 : Last Updated June 2013

REVERSE VIEW OF PICKUPS, SWITCH AND POTENTIOMETERS.

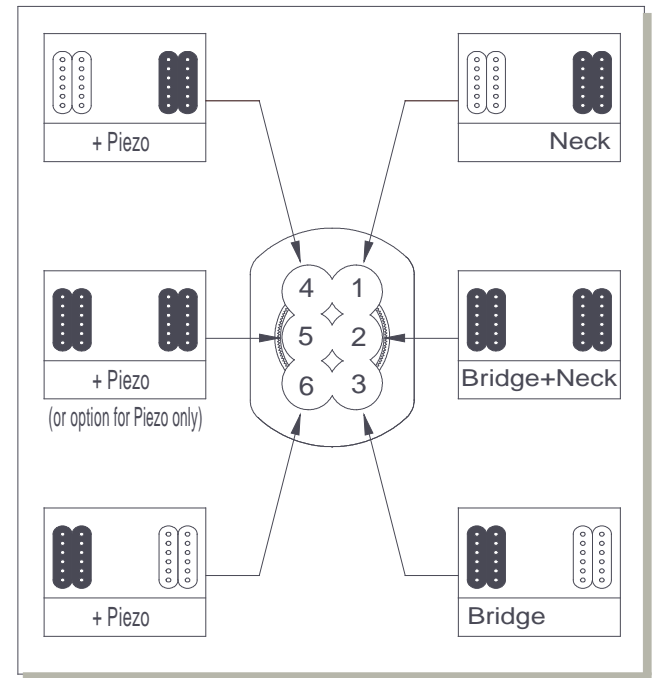


MANUFACTURED IN ENGLAND BY NSF CONTROLS LTD



Notes:-
 Positions 4, 5 & 6 enable output from piezo system, (piezo output is connected to ground in positions 1, 2 & 3).
 For 'piezo only' (no Mag.s) in position 5, unlink Neck 'Hot' from M2 only and then connect M2 only to 'ground'.
 Use multi-core screened cable between switch and controls on LP-style guitars.
 Piezo controls may replace Mag Vol/Tone controls as preferred. 'Link' wires would normally be connected for series humbucker operation (typically these are North & South finish wires).
 The pickup colour coding shown in this diagram does not represent any particular pickup manufacturer - please follow designations.

FRONT VIEW OF PICKUPS AND SWITCH

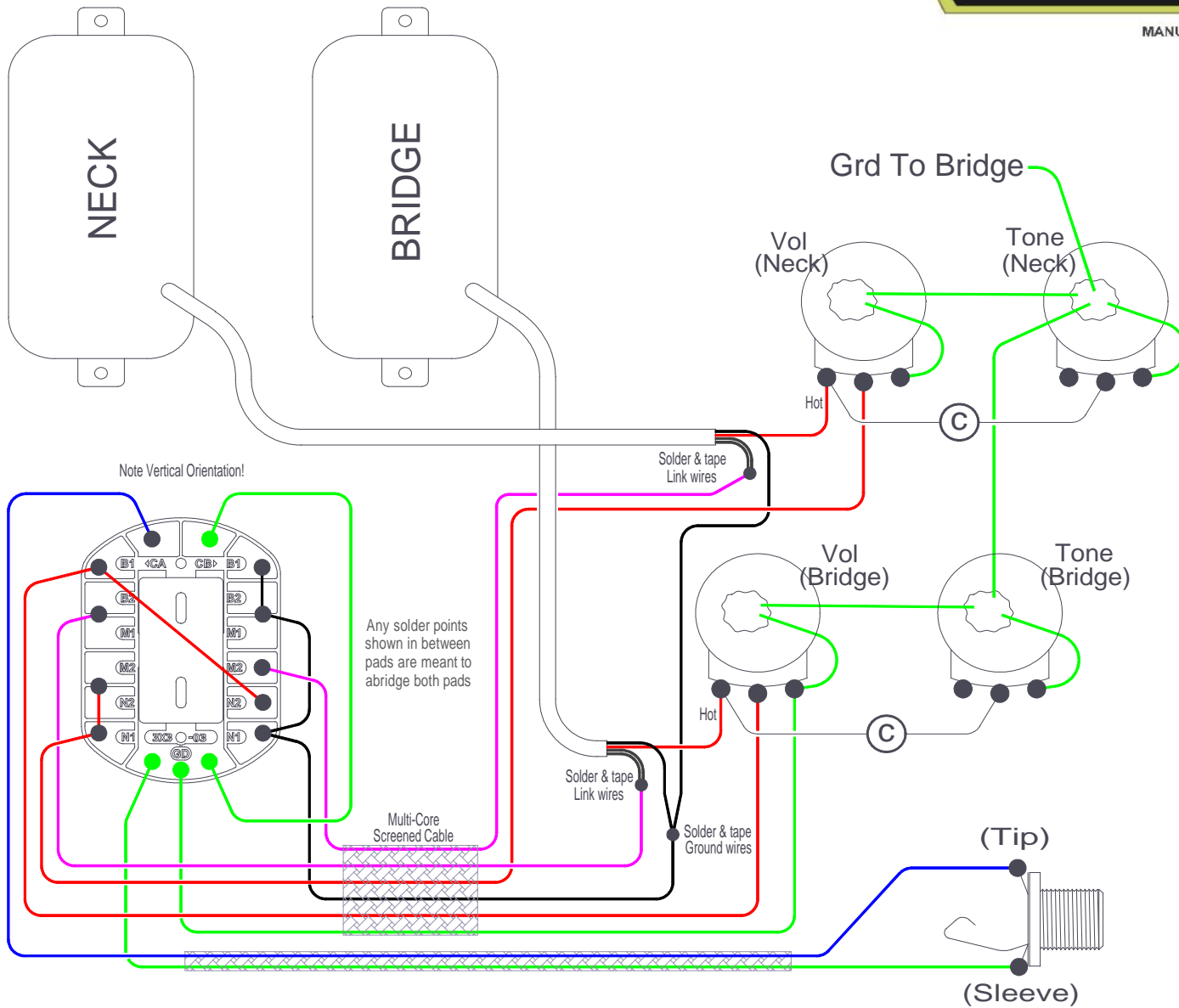


Scheme No 005 : Last Updated June 2013

REVERSE VIEW OF PICKUPS, SWITCH AND POTENTIOMETERS.



MANUFACTURED IN ENGLAND BY NSF CONTROLS LTD



Notes:-

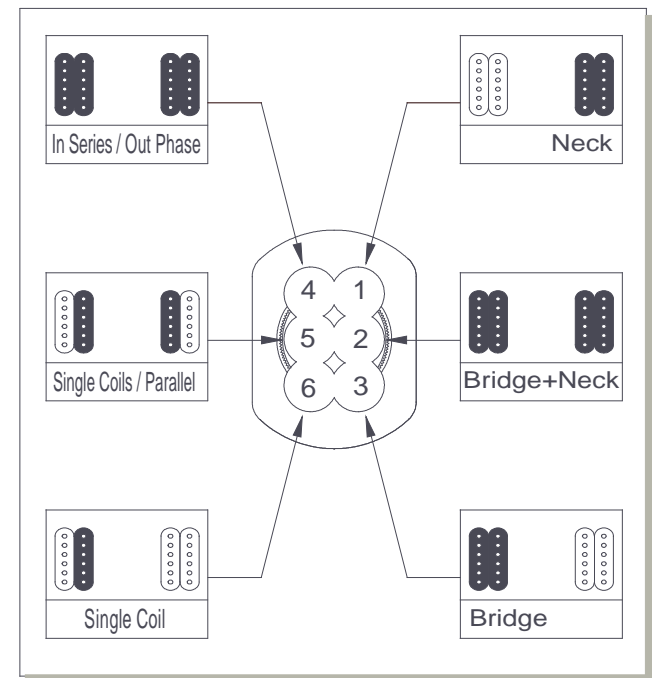
Use multi-core screened cable between switch and controls on LP-style guitars.

'Ground' wires (typically South Start wires) from either pickups require to be shielded in this scheme as shown.

'Link' wires would normally be connected for series humbucker operation (typically these are North & South finish wires).

The pickup colour coding shown in this diagram does not represent any particular pickup manufacturer - please follow designations.

FRONT VIEW OF PICKUPS AND SWITCH

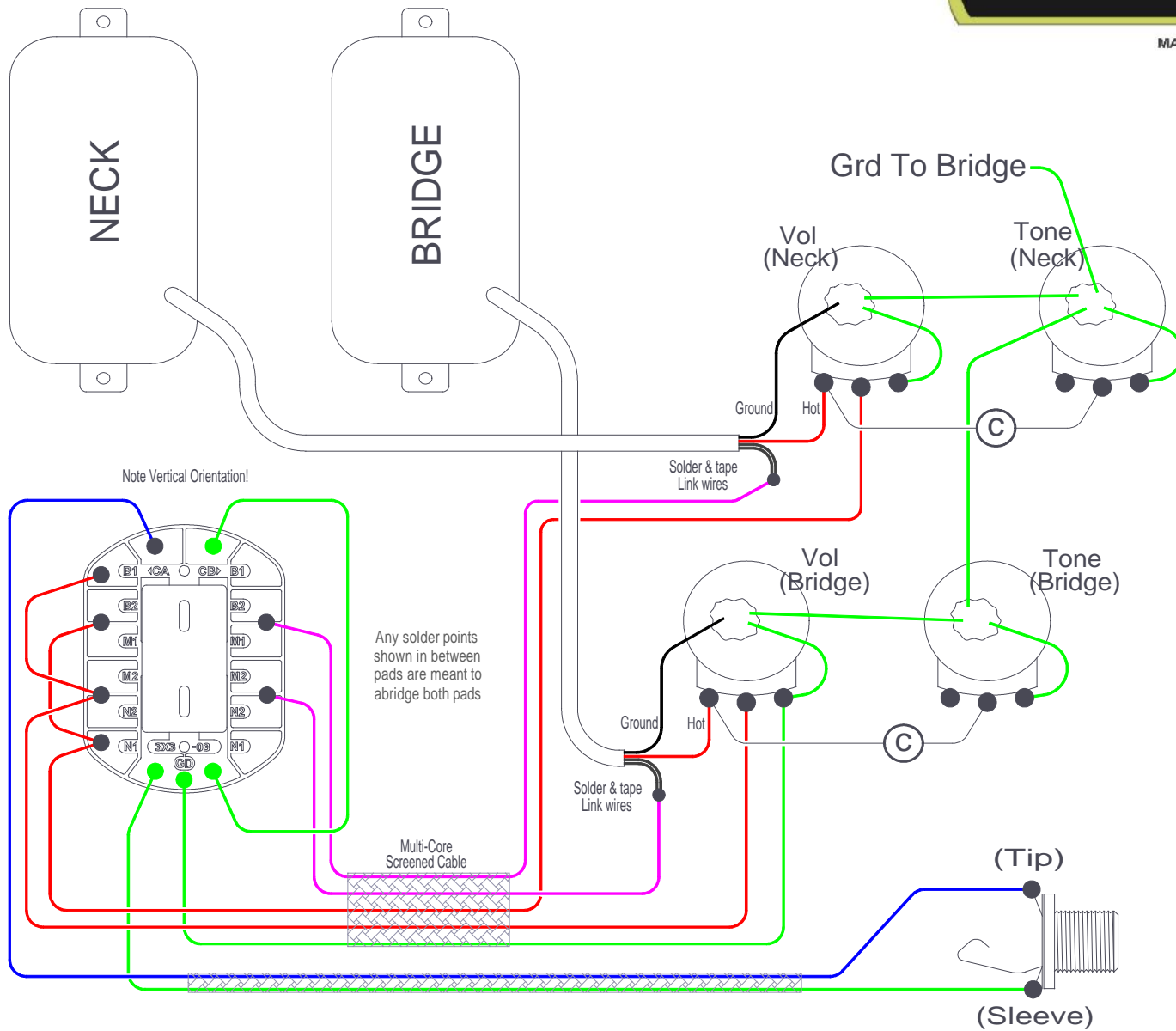


Scheme No 006 : Last Updated June 2013

REVERSE VIEW OF PICKUPS, SWITCH AND POTENTIOMETERS.



MANUFACTURED IN ENGLAND BY NSF CONTROLS LTD



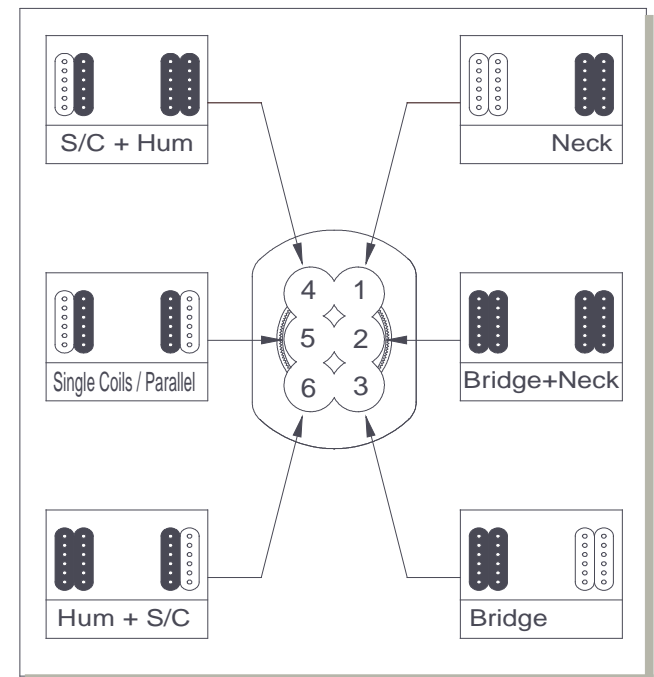
Notes:-

Use multi-core screened cable between switch and controls on LP-style guitars.

'Link' wires would normally be connected for series humbucker operation (typically these are North & South finish wires).

The pickup colour coding shown in this diagram does not represent any particular pickup manufacturer - please follow designations.

FRONT VIEW OF PICKUPS AND SWITCH

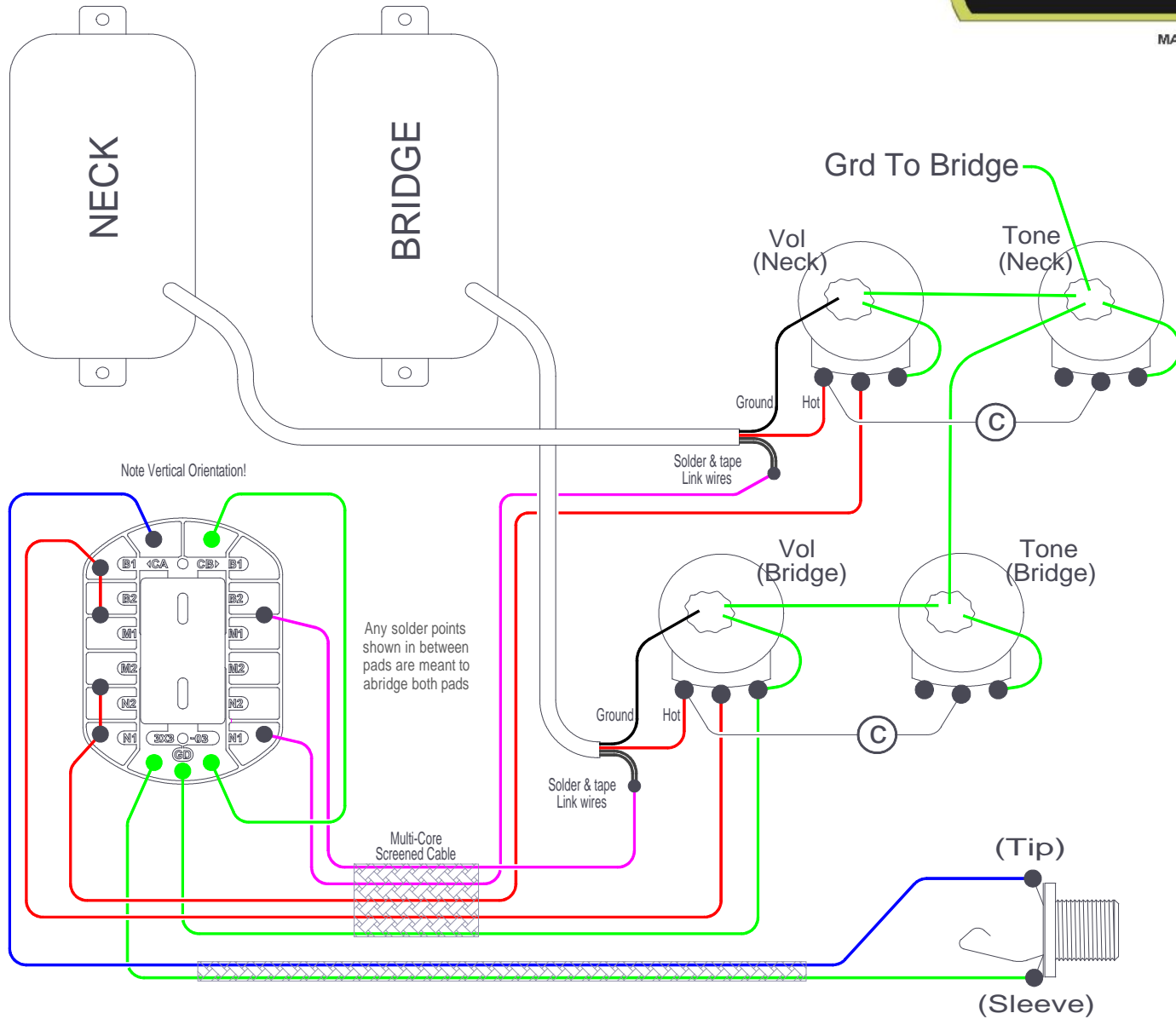


Scheme No 007 : Last Updated June 2013

REVERSE VIEW OF PICKUPS, SWITCH AND POTENTIOMETERS.



MANUFACTURED IN ENGLAND BY NSF CONTROLS LTD



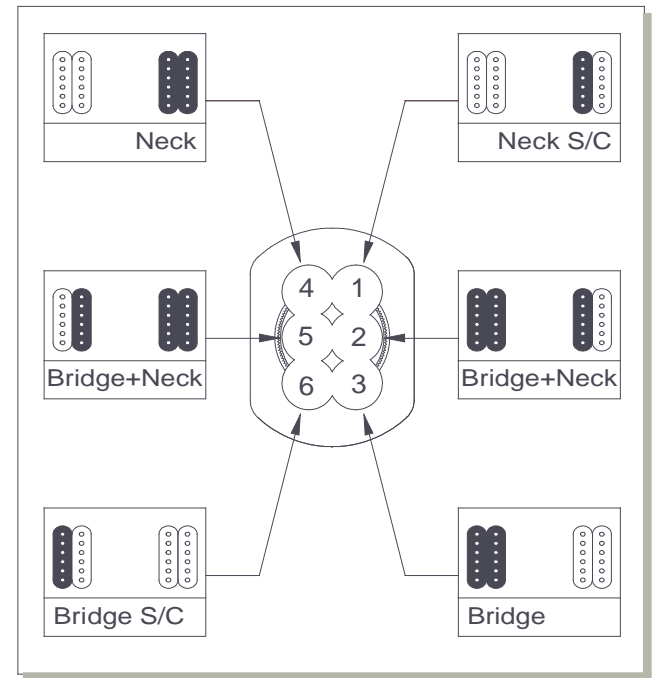
Notes:-

Use multi-core screened cable between switch and controls on LP-style guitars.

'Link' wires would normally be connected for series humbucker operation (typically these are North & South finish wires).

The pickup colour coding shown in this diagram does not represent any particular pickup manufacturer - please follow designations.

FRONT VIEW OF PICKUPS AND SWITCH

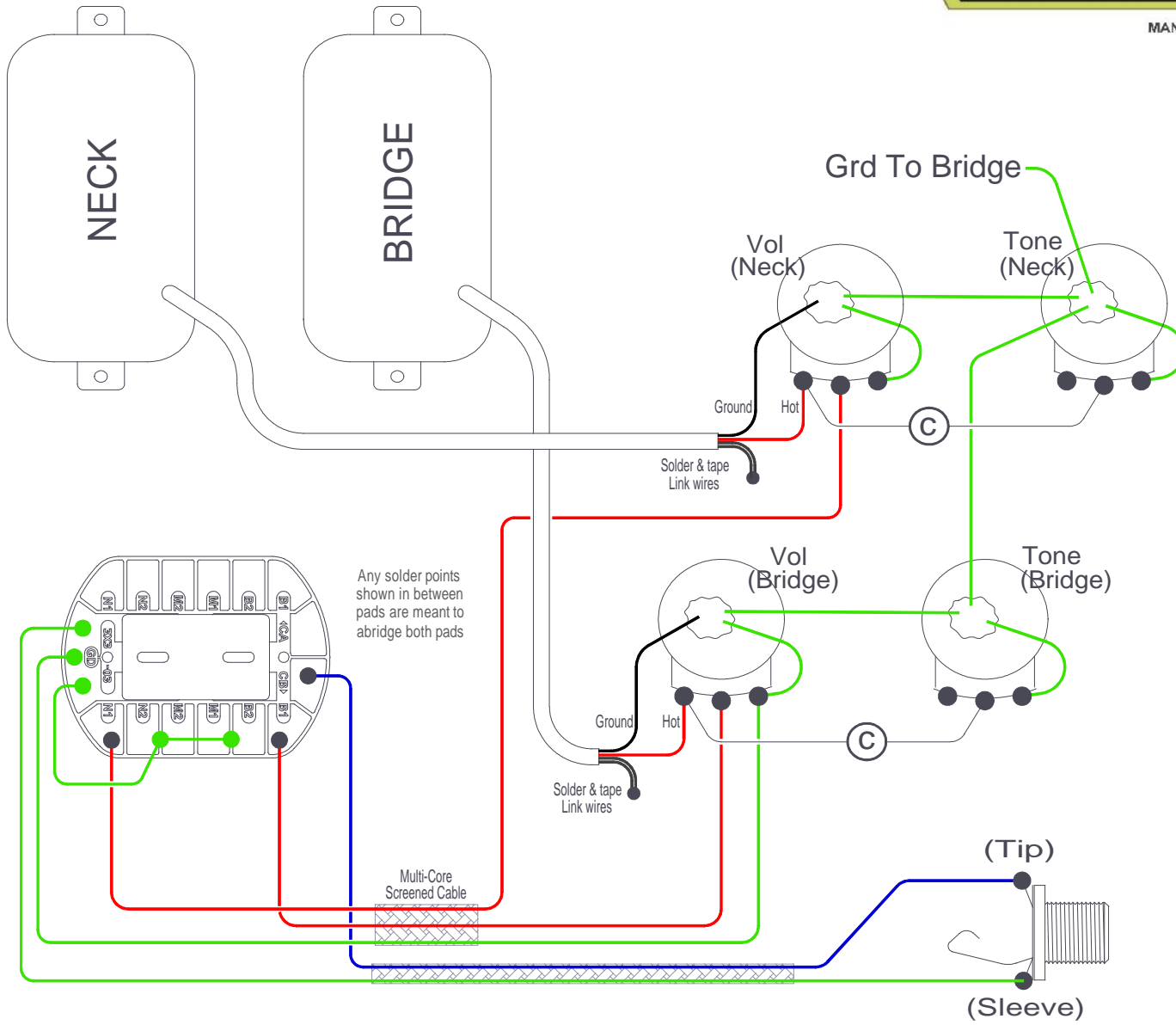


Scheme No 008 : Last Updated June 2013

REVERSE VIEW OF PICKUPS, SWITCH AND POTENTIOMETERS.

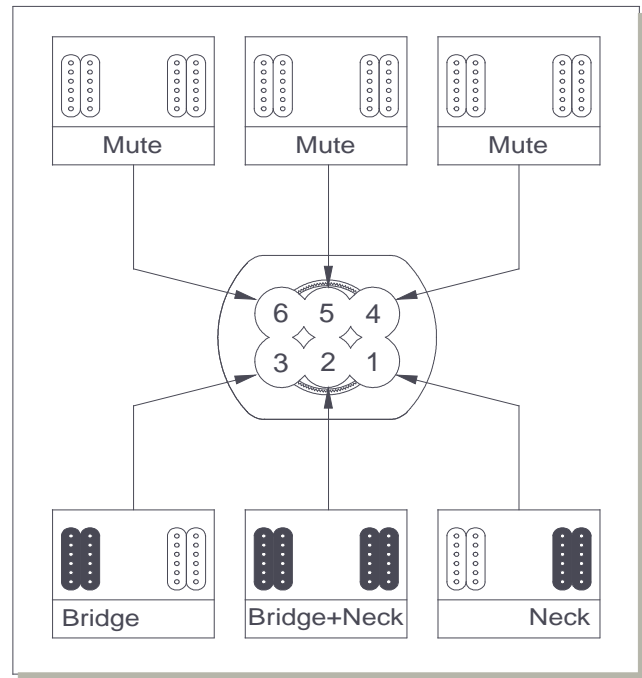


MANUFACTURED IN ENGLAND BY NSF CONTROLS LTD



Notes:-
 Positions 1, 2 & 3 select Neck/Both/Bridge Humbuckers and positions 4,5 & 6 mute the output by connecting to ground.
 Switch orientation shown to suit mute-switching on LP style guitar.
 Use multi-core screened cable between switch and controls on LP-style guitars.
 'Link' wires would normally be connected for series humbucker operation (typically these are North & South finish wires).
 The pickup colour coding shown in this diagram does not represent any particular pickup manufacturer - please follow designations.

FRONT VIEW OF PICKUPS AND SWITCH

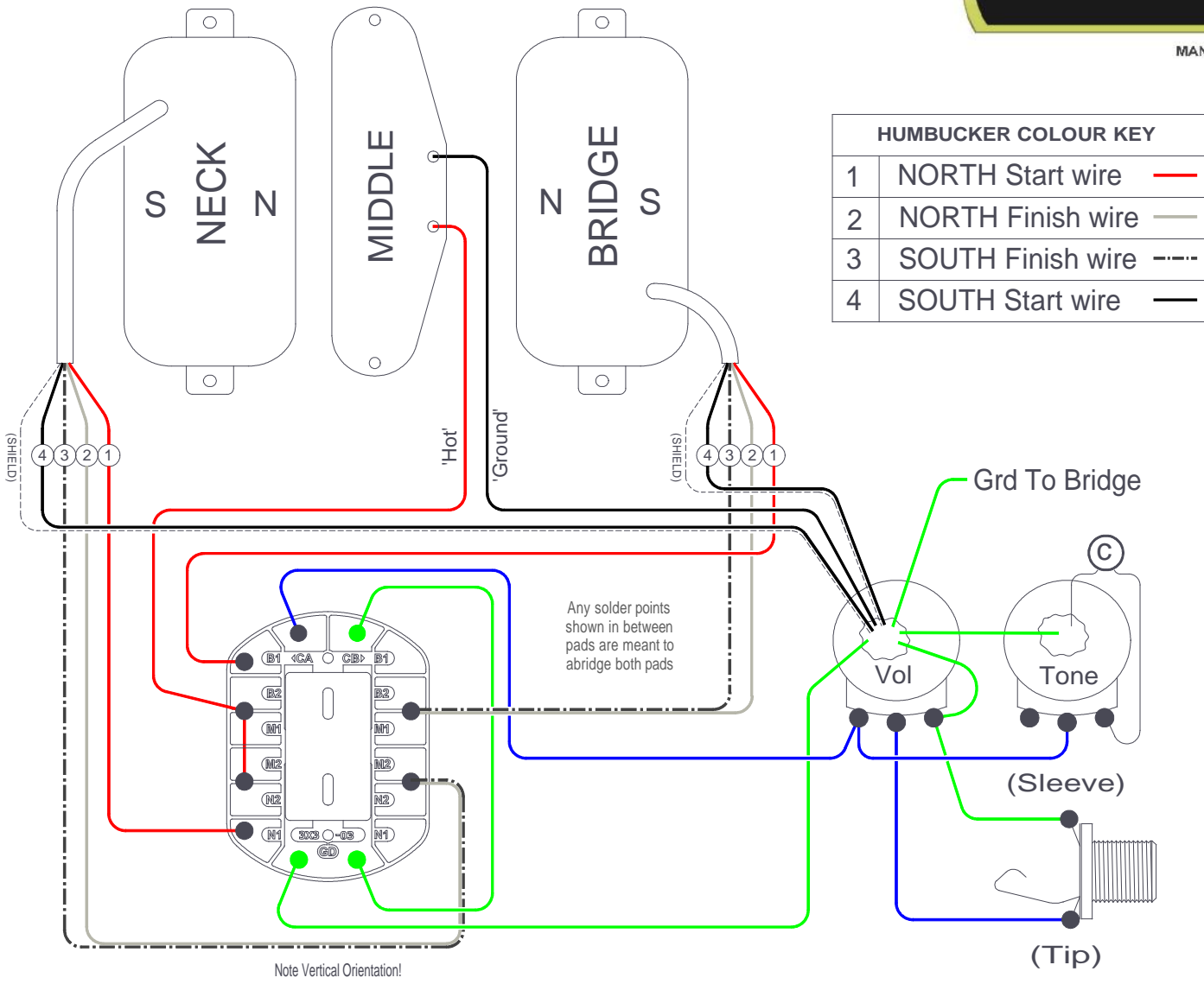


Scheme No 009 : Last Updated June 2013

REVERSE VIEW OF PICKUPS, SWITCH AND POTENTIOMETERS.

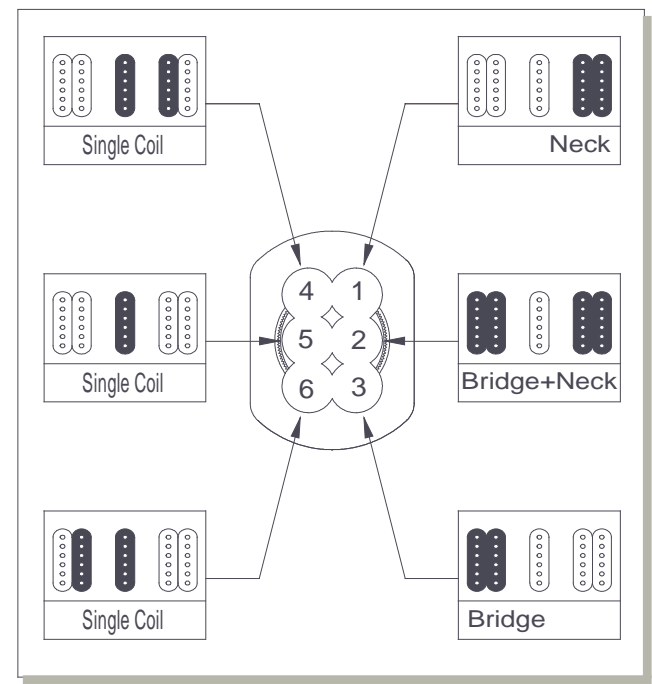


MANUFACTURED IN ENGLAND BY NSF CONTROLS LTD



Notes:-
 Positions 1, 2 & 3 are standard neck/both/bridge humbucker settings, positions 4, 5 & 6 are like the middle positions of a 5-way selector.
 As an alternative, connect both 'CA' to 'CB' to vol pot. (remove grd. connection to 'CB') this will select 3 x single coils in position 5 and the middle + outer humbucker coils in positions 4 and 6.
 The colour coding or magnetic polarity shown here does not represent any particular pickup manufacturer - please follow key.

FRONT VIEW OF PICKUPS AND SWITCH

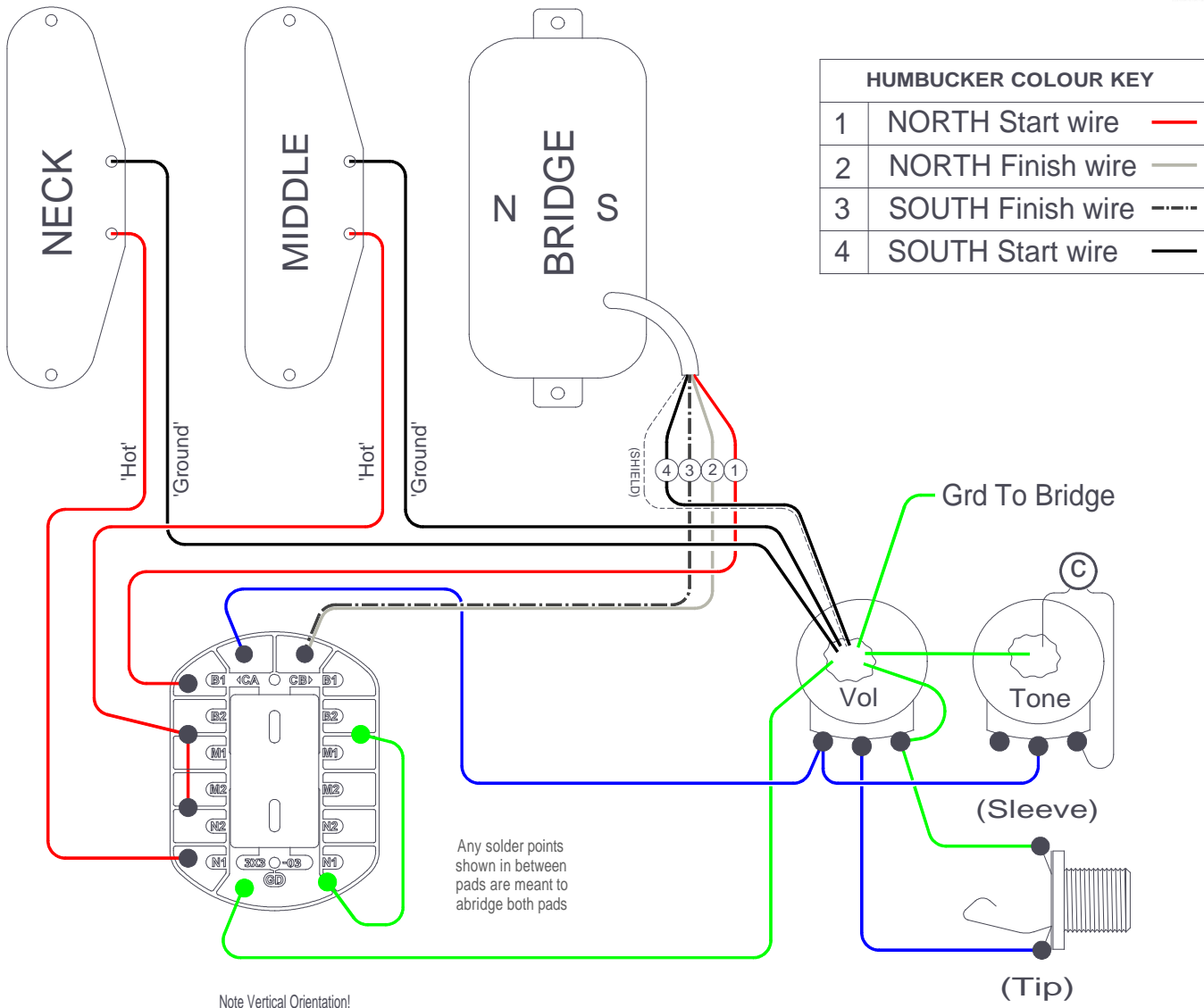


Scheme No 010 : Last Updated June 2013

REVERSE VIEW OF PICKUPS, SWITCH AND POTENTIOMETERS.

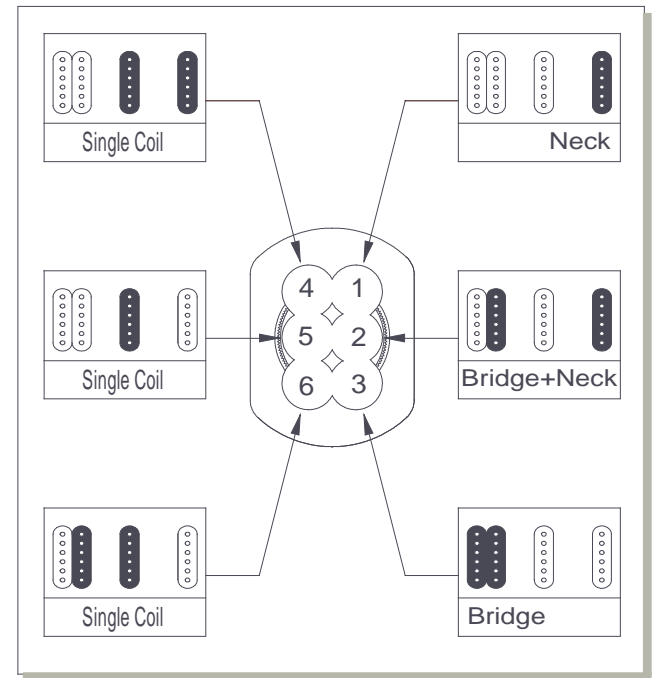


MANUFACTURED IN ENGLAND BY NSF CONTROLS LTD



Notes:-
 Positions 1, 2 & 3 are neck/both/bridge settings (where the humbucker is tapped in position 2). Positions 4, 5 & 6 are like the middle positions of a 5-way selector.
 The colour coding or magnetic polarity shown here does not represent any particular pickup manufacturer - please follow key.

FRONT VIEW OF PICKUPS AND SWITCH

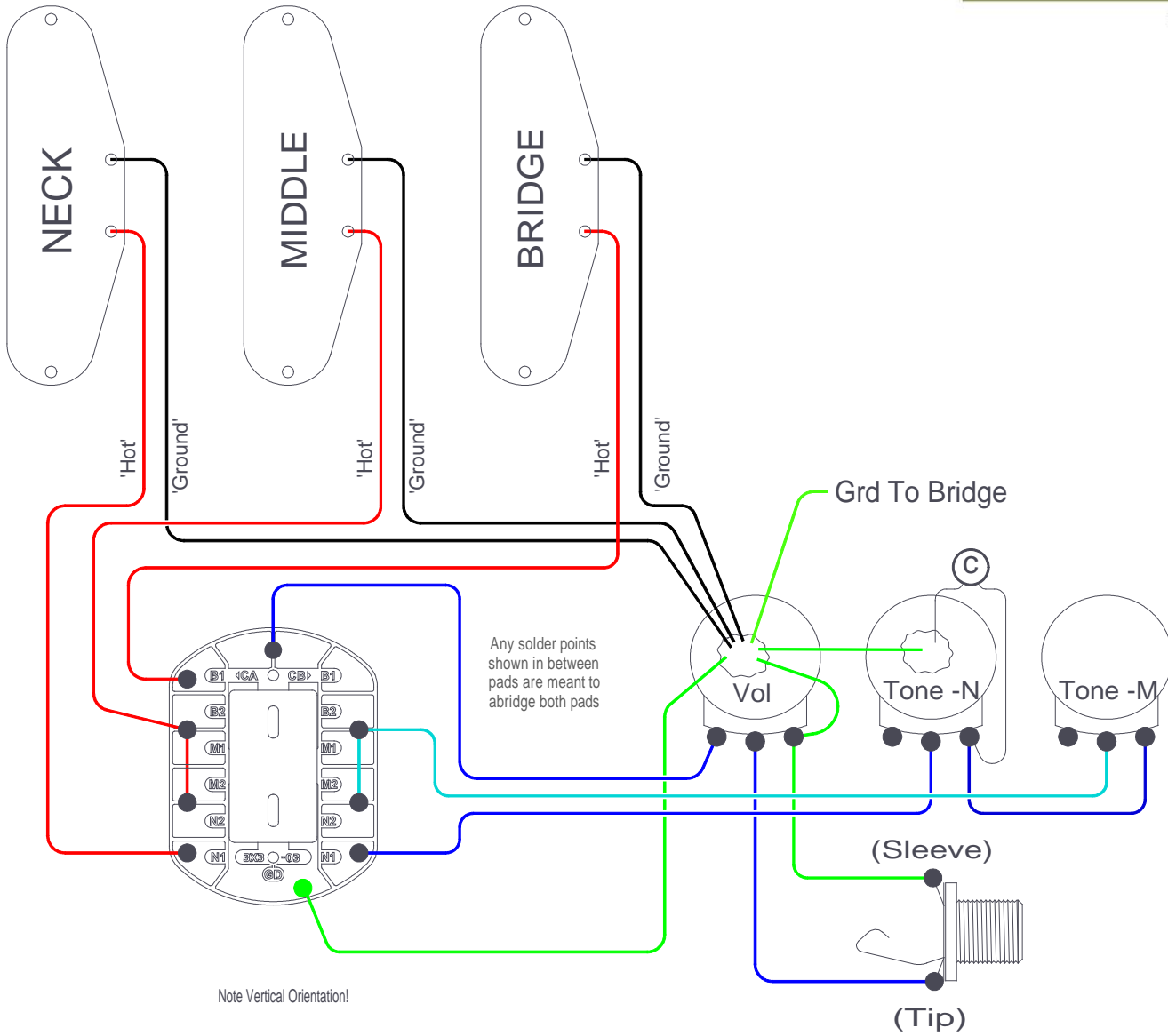


Scheme No 011 : Last Updated June 2013

REVERSE VIEW OF PICKUPS, SWITCH AND POTENTIOMETERS.



MANUFACTURED IN ENGLAND BY NSF CONTROLS LTD



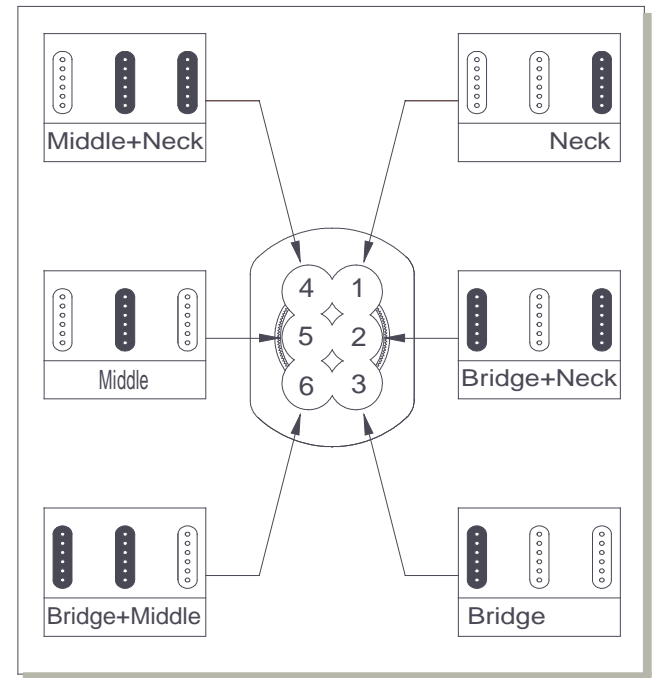
Notes:-

Positions 1, 2 & 3 are standard neck/both/bridge settings; positions 4, 5 & 6 are like the middle positions of a 5-way selector.

Tone controls can be assigned differently, but in this diagram:-
 N-Tone control is active in positions 1, 2 & 4.
 M-Tone control is active in positions 4, 5 & 6.

The pickup colour coding shown in this diagram does not represent any particular pickup manufacturer - please follow designations.

FRONT VIEW OF PICKUPS AND SWITCH



Scheme No 012 : Last Updated June 2013