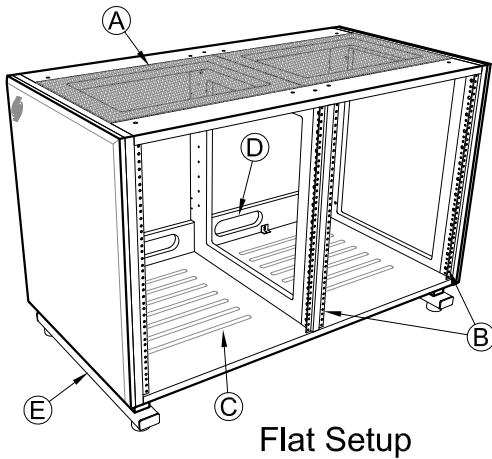


Versa II Two Bay Rack

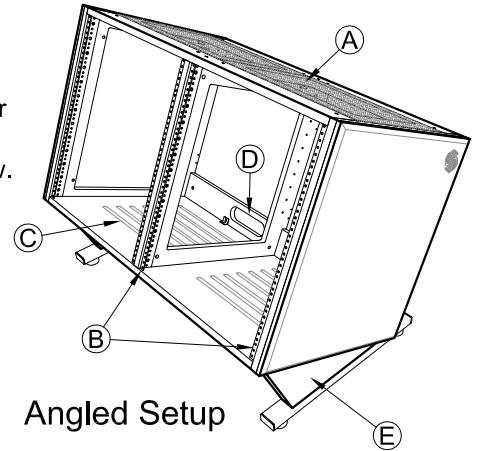
Features / Specifications

Features



Flat Setup

- A) Fabric covered thermal vent panels.
- B) 13RU front rack rail w/Sterling Modular exclusive 1/2RU hole spacing.
- C) Slotted bottom panel for ample air flow.
- D) Rear hole for cable management.
- E) "Base Kit".

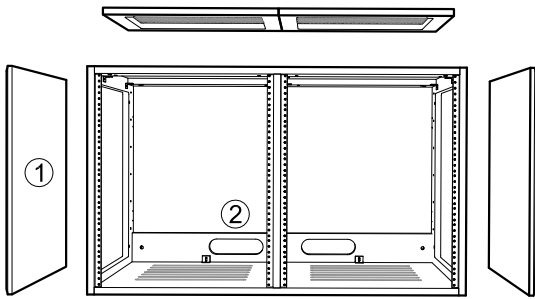


Angled Setup

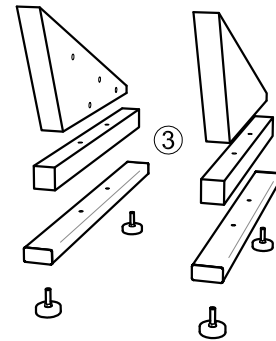
Shipping Info

Number of Boxes - 3
Shipping weight - 90 Lbs

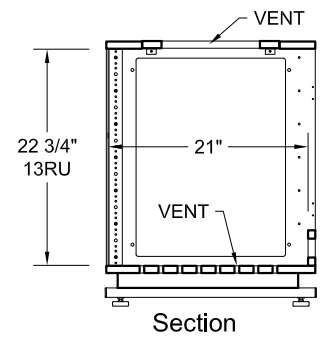
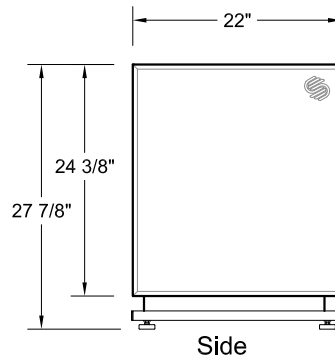
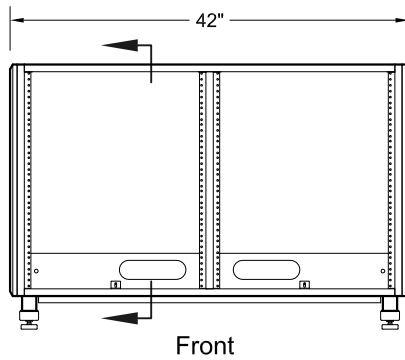
What's Included



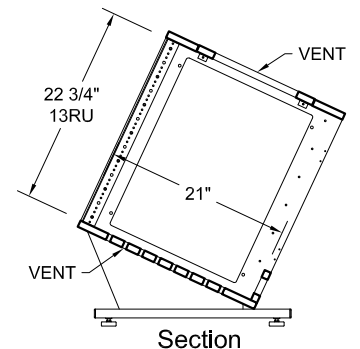
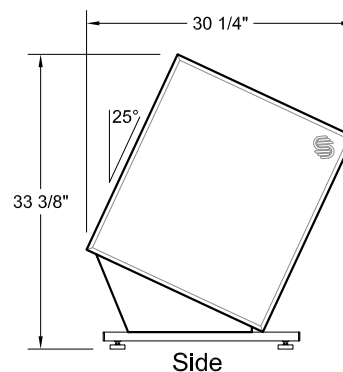
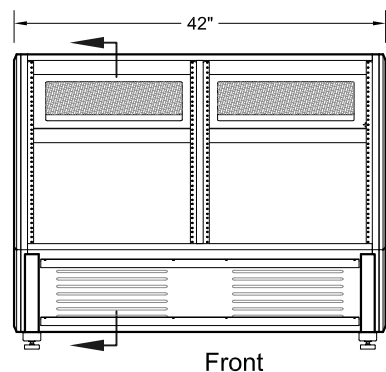
- 1) Side Panels
- 2) Rack Box
- 3) Base Kit



Flat Setup Specification



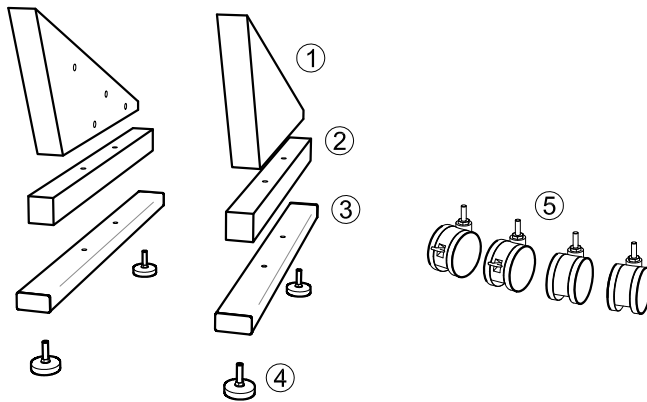
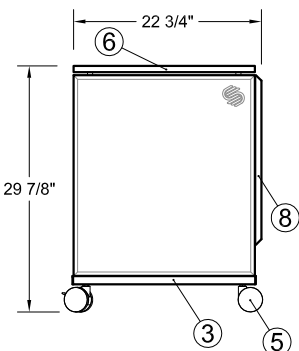
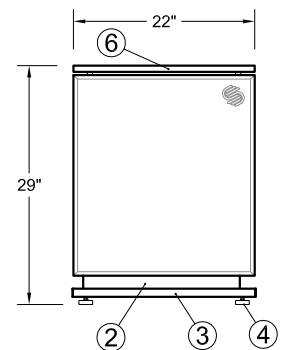
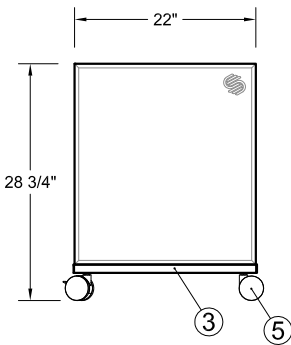
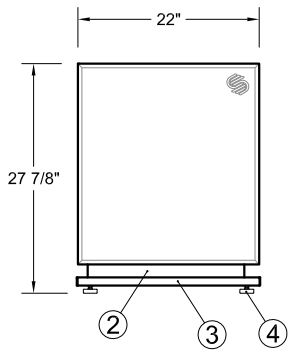
Angled Setup Specification



Versa II Rack

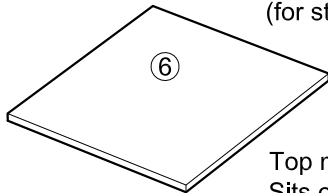
Configurations / Options / Accessories

Flat



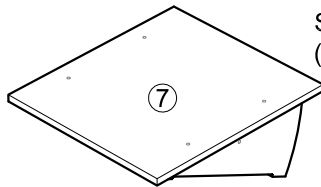
- 1) 25° Angled Riser
- 2) 1 1/2" Flat Riser
- 3) Steel Foot
- 4) Heavy Duty Levelers
- 5) Caster Pack (Optional)
4 heavy duty, rubberized casters.
with brakes for the front.

Solid Flat Top Option
(for straight base configuration)



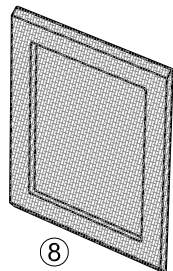
Top measures 20 1/2" wide x 22" deep.
Sits on 5/8" risers to allow for continued
top thermal venting.

Solid Wedge Top Option
(for angled base configuration)



Top measures 20 1/2" wide x 22" deep
and allows for the stacking of additional
gear on the angled base configuration,
without obstructing the thermal venting.

Rear Door Option



Fabric covered panel measuring 19 5/8" wide
x 20 1/2" tall x 3/4" thick. Covers the rear
while still providing thermal venting.
Removable for gear access.

Angled

