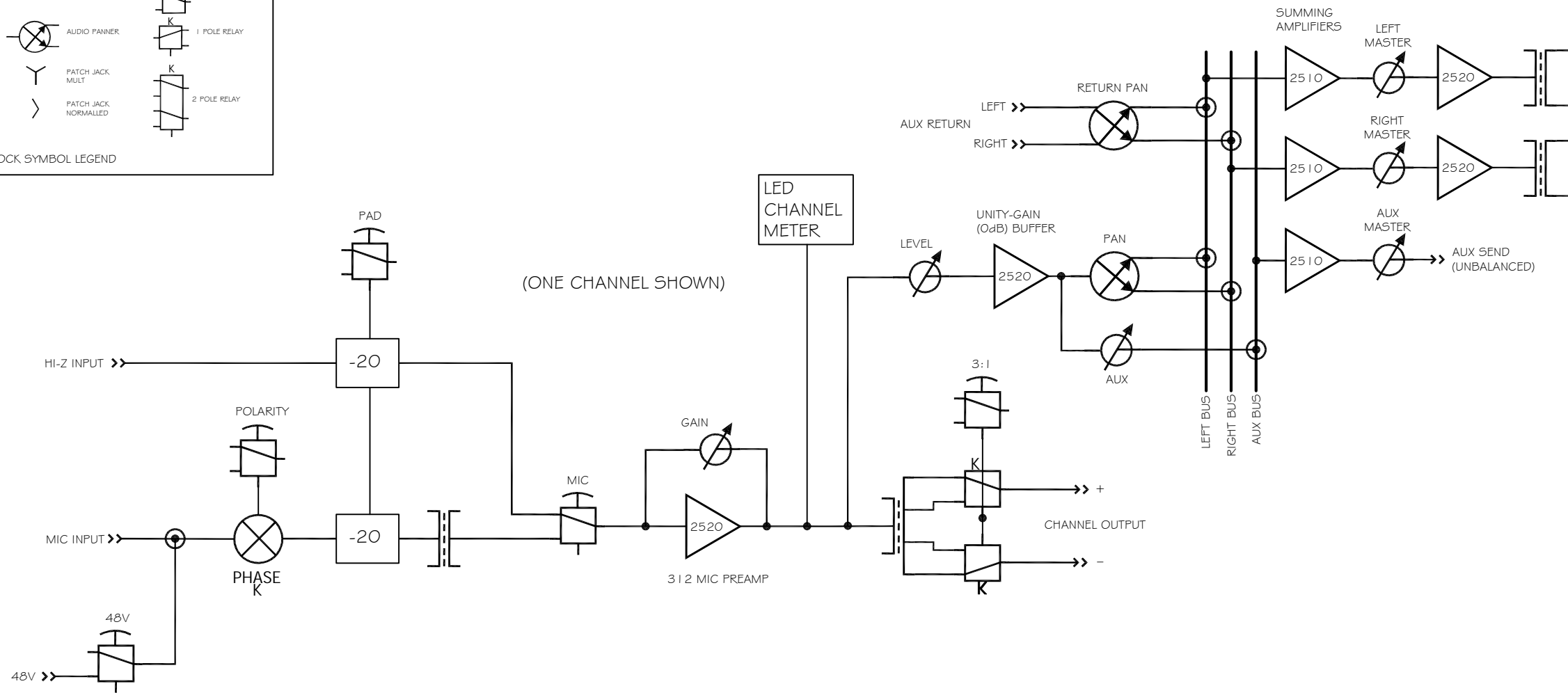
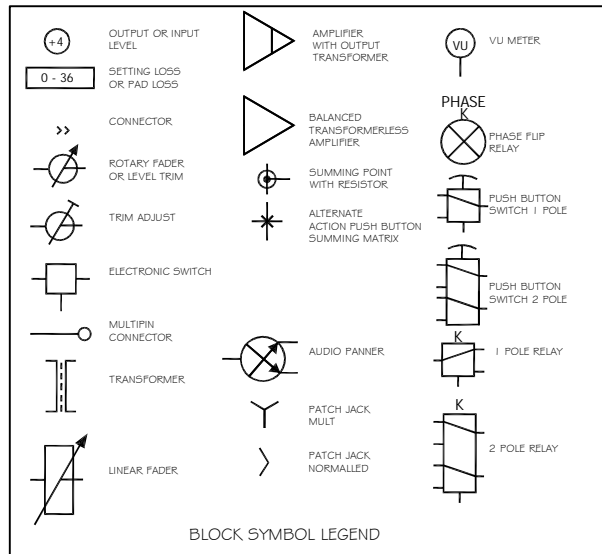


EXCEPT AS MAY BE OTHERWISE PROVIDED BY CONTRACT, THESE DRAWINGS AND SPECIFICATIONS ARE THE PROPERTY OF AUTOMATED PROCESSES, INC., ARE ISSUED IN STRICT CONFIDENCE AND SHALL NOT BE REPRODUCED OR COPIED, OR USED AS THE BASIS FOR THE MANUFACTURE OR SALE OF APPARATUS WITHOUT PERMISSION.

ZONE	REV	DESCRIPTION	DATE	APPD



TOLERANCES UNLESS OTHERWISE NOTED	DRAWN JKR DATE 06/17/16
FRACTIONS: +/-	CHECK XXXXXX DATE XXXXX
.XX = +/- 0.02	APPVD XXXXXX DATE XXXXX
.XXX = +/- 0.005	MATERIAL
ANGLES = +/- 1/2°	FINISH
<input type="checkbox"/> SEE SEPARATE PARTS LIST	SCALE

**AUTOMATED PROCESSES, INC.**  
8301 PATUXENT RANGE ROAD, JESSUP, MD 20794 301 776 7879

TITLE  
3124MV BLOCK DIAGRAM

SIZE	DWG NO.	REV	SHEET
B	49-951-0923	A	1 OF 1